

# ConnectBox

## Connecting devices

### CANbus 2.0 Products

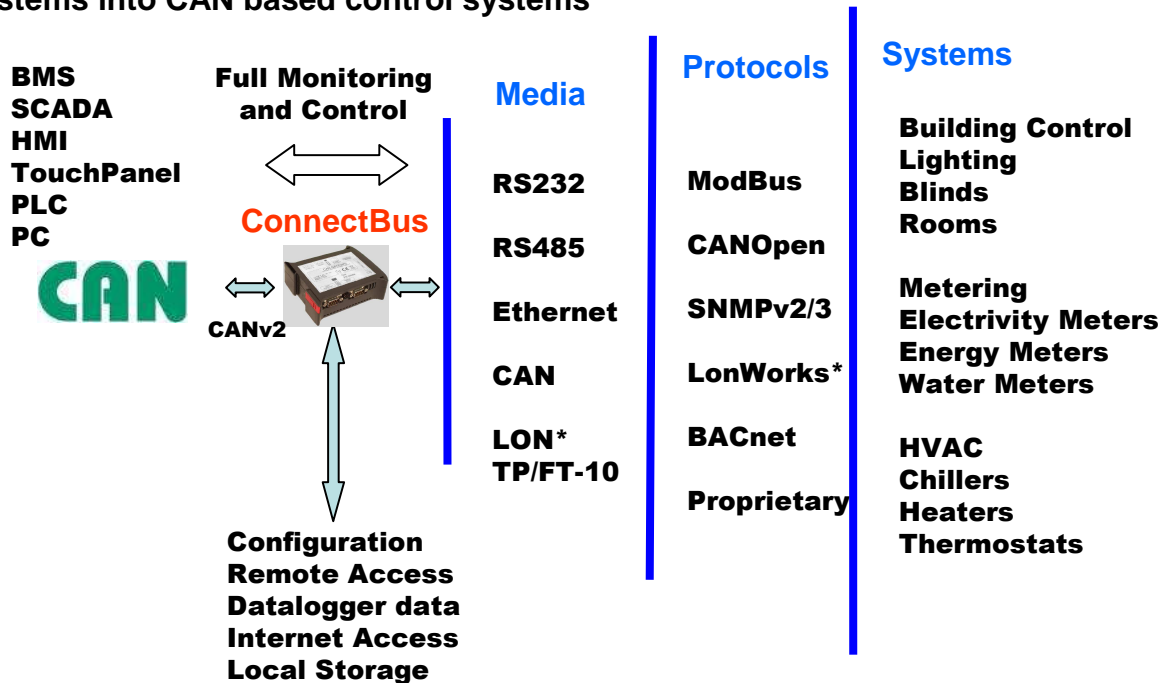
New gateway enables CAN devices to connect to industrial networks

- Protocol Gateway
- Datalogger
- Internet Access
- SNMPv3
- Web Server
- CANOpen ready



Co

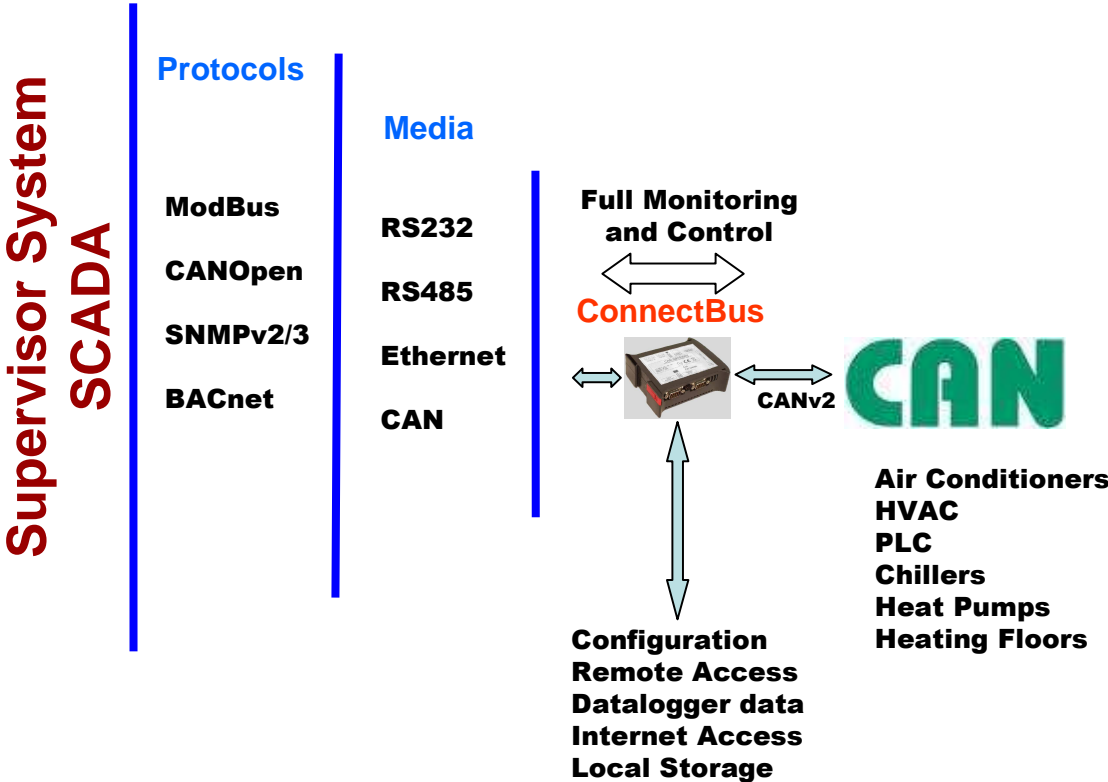
CANbus Server (Slave) Gateway configuration for integration of third party systems into CAN based control systems



# ConnectBox

## Connecting devices

CANbus master (Client) Gateway configuration for integration of CAN devices into other control systems (SNMP, Modbus, BACnet, etc)



ConnectBox – connecting devices [www.m3t.it](http://www.m3t.it)

Technical Specification	
Interfaces	n.2 RS232/RS422/RS485 communication ports n.1 RS232 communication port n.1 CAN port n.2 USB 2.0 n.1 SDIO slot n.1 Ethernet 10/100Mbps n.3 LEDs
Protocols	BACnet Master/Slave CANbus 2.0 (Master) MODbus RTU (Master) MODbus IP (Slave) Proprietary protocols
Management	HTTP Web server with authentication SNMPv3



Disclaimer. All statements, technical information and recommendations contained in this documentation have been carefully checked for reliability; however no responsibility is assumed for inaccuracies. The information contained in this documentation is subject to change without notice.