

ConnectBox

Connecting devices

BACnet Products

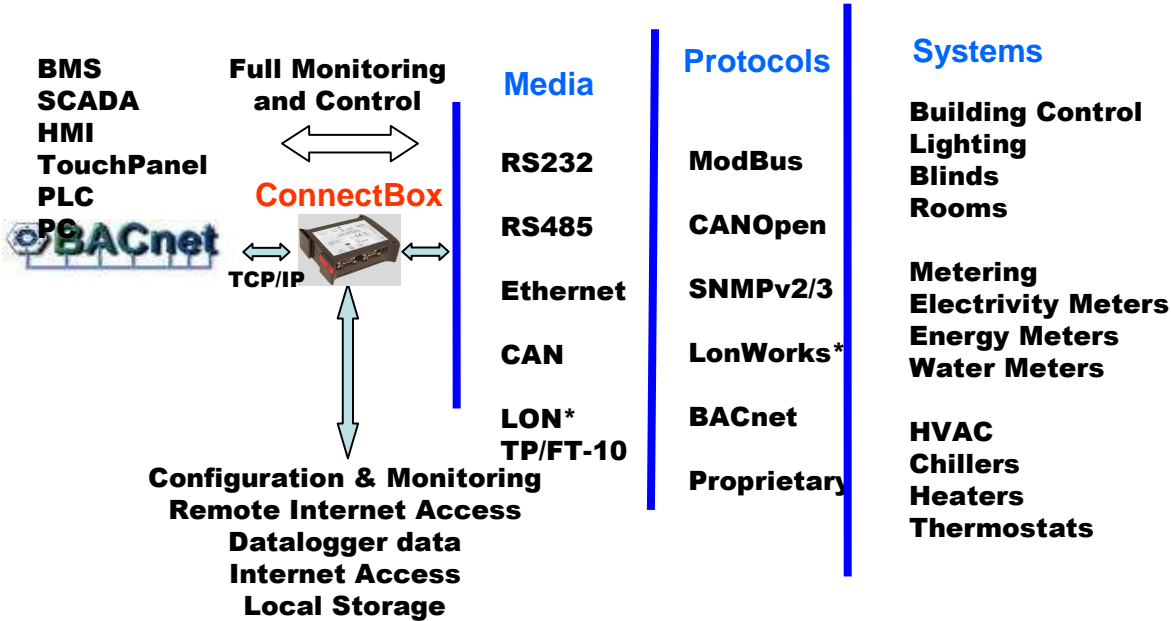
- Protocol Gateway
- Datalogger
- Internet Access
- SNMPv3
- Web Server



Easy Configuration

- HTTP server builtin
- Easy Variables definition and mapping via XML file
- Export datalogger data via excel file

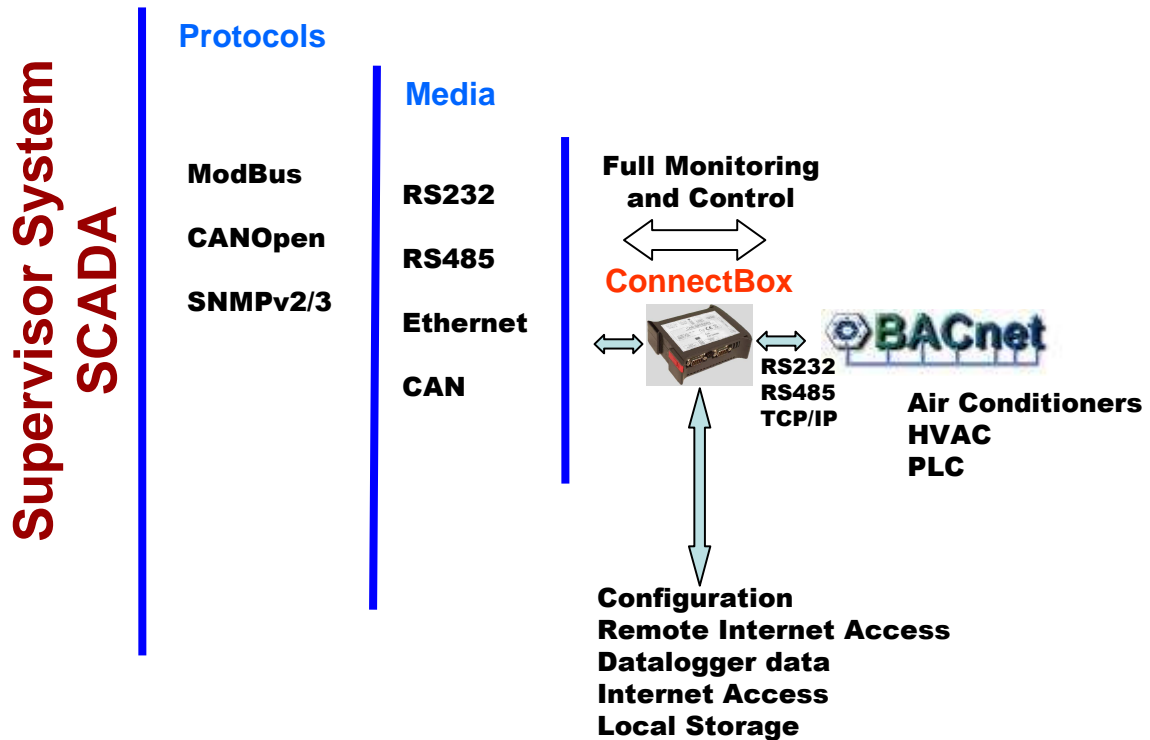
BACnet/IP Server Gateway configuration for integration of third party systems into BACnet/IPbased control systems



ConnectBox

Connecting devices

BACnet/IP Client Gateway configuration for integration of BACnet/IP devices into other control systems (KNX, Modbus, etc)



| Technical Specification | |
|-------------------------|--|
| Interfaces | n.2 RS232/RS422/RS485 communication ports n.1 RS232 communication port n.1 CAN port n.2 USB 2.0 n.1 SDIO slot n.1 Ethernet 10/100Mbps n.3 LEDs |
| Protocols | BACnet/IP Master/Slave CANbus 2.0 (Master) MODbus RTU (Master) MODbus IP (Slave) Proprietary protocols |
| Management | HTTP Web server with authentication SNMPv3 |
| Power supply | 12-24 VCC/VAC |

